

Peak pulse voltage ($T_j=25$; non-repetitive, off-state; FIG.8)	V_{pp}	2.5	kV
--	----------	-----	----

ELECTRICAL CHARACTERISTICS (unless otherwise specified)

Symbol	Test Condition	Quadrant	Value	Unit	
I	$V_D=12V R_L=33$	- -	MAX.	50	mA
V		- -	MAX.	1.3	V
V	$V_D=V_{DRM} T_j=125$ $R_L=3.3k$	- -	MIN.	0.15	V
I _L	$I_G=1.2I_{GT}$	-	MAX.	80	mA
				100	
I _H	$I_T=500mA$		MAX.	75	mA
dV/dt	$V_D=540V$ Gate Open $T_j=125$		MIN.	2000	V/s
(dI/dt) _c	G 9 G W F $T_j=125 V 7$		MIN.	25	A/ms
t _{on}	$I_G=80mA I_A=400mA I_R=40mA$ $T_j=25$		TYP.	10	s
t _{off}				70	

STATIC CHARACTERISTICS

Symbol	Parameter	Value(MAX.)	Unit	
V _{TM}	$I_{TM}=42A t_p=380 s$ $T_j=25$	1.5	V	
V _{TO}	Threshold voltage $T_j=125$	0.72	V	
R _D	Dynamic resistance $T_j=125$	25	m	
I _{DRM}	$V_D=V_{DRM} V_R=V_{RRM}$	$T_j=25$	5	A
I _{RPM}		$T_j=125$	2	mA

THERMAL RESISTANCES

Symbol	Parameter	Value	Unit
R _{th(j-c)}	junction to case (AC)	0.7	°C/W
R _{th(j-a)}	junction to ambient (AC, in free air, S=2cm ²)	45	°C/W

ORDERING INFORMATION

J	ST	30	E	-800	BW	-/
JieJie Microelectronics Co., Ltd.	Triacs IT(RMS):30A		E:TO-263		BW:IgT1-3 50mA	Blank:Tube -TR:Tape & Reel
				800:V _{DRM} /V _{RRM} 800V		

MARKING

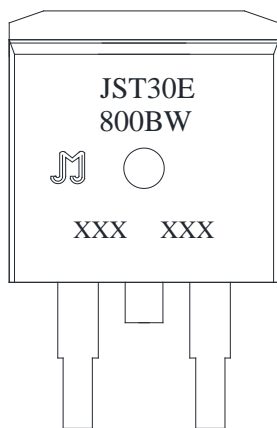


FIG.1: Maximum power dissipation versus RMS on-state current

FIG.2: RMS on-state current versus case temperature

FIG.7: Relative variations of gate trigger current, holding current and latching current versus junction temperature

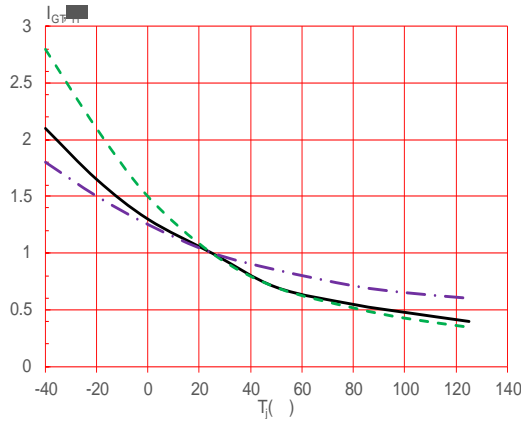
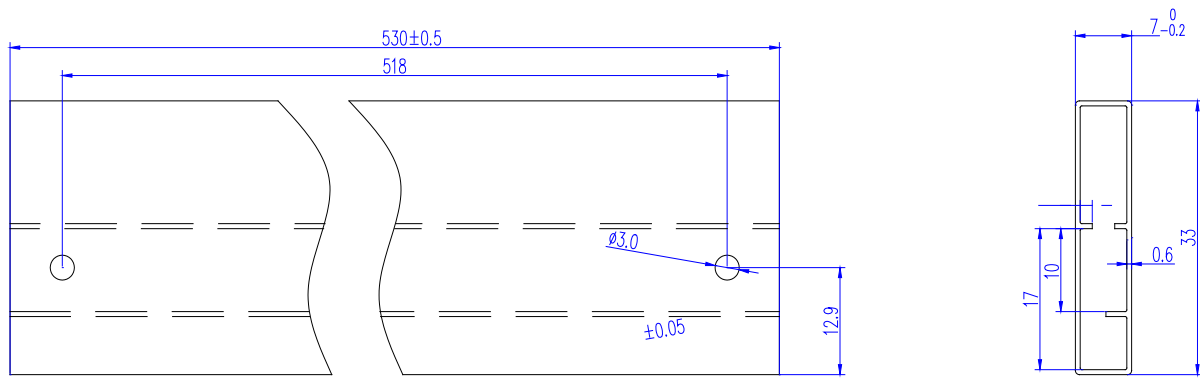


FIG.8: Test circuit for inductive and resistive loads to IEC-61000-4-5 standards



DELIVERY MODE



Information furnished in this document is believed to be accurate and reliable. However, Jiangsu JieJie Microelectronics Co., Ltd. assumes no responsibility for the consequences of use without consideration for such information nor use beyond it. Information mentioned in this document is subject to change without notice, apart from that when an agreement is signed, Jiangsu JieJie complies with the agreement.

Products and information provided in this document have no infringement of patents. Jiangsu JieJie assumes no responsibility for any infringement of other rights of third parties which may result from the use of such products and information. This document supersedes and replaces all information previously supplied.



is a registered trademark of Jiangsu JieJie Microelectronics Co., Ltd.

Copyright © 2025 Jiangsu JieJie Microelectronics Co., Ltd. All rights reserved.