

JCT1231A 30A SCR

Rev.A.1.1

DESCRIPTION:

With high ability to withstand the shock loading of large current, JCT1231A SCR provides high dV/dt rate with strong resistance to electromagnetic interference. It is especially recommended for use on solid state relay, motorcycle, power charger, T-tools etc. From all three terminals to external heatsink, JCT1231A provides a rated insulation voltage of 2500 VRMS, complying with UL standards (File ref: E252906). Package TO-220A is RoHS compliant.

MAIN FEATURES

Symbol	Value	Unit
$I_{T(RMS)}$	30	A
V_{DRM}/V_{RRM}	1200	V
I_{GT}	"40	mA

ABSOLUTE MAXIMUM RATINGS

Parameter	Symbol	Value	Unit
Storage junction temperature range/			

Peak gate current ($t_p=20 \mu s$, $T_j=125^\circ C$)	I_{GM}	10	A
Average gate power dissipation ($T_j=125^\circ C$)	$P_{G(AV)}$	1	W
Peak gate power	P_{GM}	20	W
Peak pulse voltage ($T_j=25^\circ C$; non-repetitive, off-state; FIG.7)	V_{pp}	0.7	kV

ELECTRICAL CHARACTERISTICS (unless otherwise specified)

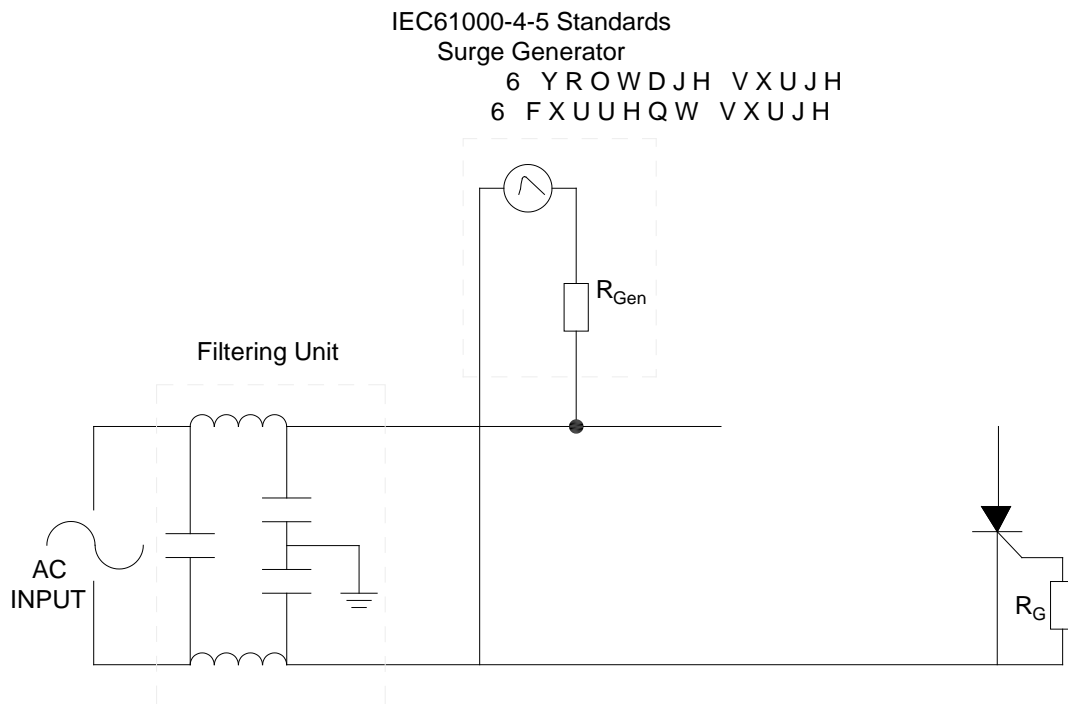
Symbol	Test Condition	Value			Unit
		MIN.	TYP.	MAX.	
I_{GT}	$V_D=12V$ $R_L=33\Omega$	-	-	40	mA
V_{GT}		-	-	1	V
V_{GD}	$V_D=V_{DRM}$ $T_j=125^\circ C$ $R_L=3.3k\Omega$	0.25	-	-	V
I_L	$I_G=1.2I_{GT}$	-	-	90	mA
I_H	$I_T=1A$	-	-	80	mA
dV/dt	$V_D=800V$ Gate Open $T_j=125^\circ C$	1000	-	-	V/s

 t_{on} $I_G=100mA$ $I_A=1A$ $I_R=100mA$ $T_j=5^\circ C$ re19082.76-59.6 13(1..002 Tw 0 Tc 0 T012021D>Tj .99c 0 Tw 2.06 0 Td ()Tj EM

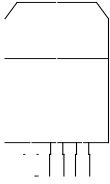
ORDERING INFORMATION

JCT1231A

FIG.7 ÖTest circuit for inductive and resistive loads to IEC-61000-4-5 standards.



PACKAGE MECHANICAL DATA



JCT1231A

JieJie Microelectronics Co.